

Home Living has its own foundry and Takes Pride in helping with the revival of cast iron radiators by using the same casting methods and designs of our forgotten craftsmen.

We have reproduced a series of cast iron radiators keeping to original designs as much as possible. Each radiator comes in a primed finish but can be painted to any Ral colour or semi polished to give a modern Twist.

www.homelivinginteriors.com

Tel: 028 90 778 537

Email: sales@homelivinginteriors.com

Radiators

Cast Iron Radiators: A Brief History

Contrary to popular belief that the invention of cast iron Radiators originated in Europe and the British isle it was America lead the way in the 18th century .

Two distinguished Inventors Known as Joseph Nason and Robert Briggs (1863) Designed and produced the earliest form of radiators as we know them today using vertical wrought iron tubes screwed into a cast iron base.

Then in (1872) Nelson H Bundy came up with the 'Bundy Loop', a popular cast iron radiator which design generated a great advancement in Radiators that we still see Today.

The Victorian period is greatly associated Decorative architecture and interiors and although Cast iron radiators passed through Many Stages of Design and innovation and it was in this period that radiators became a decorative piece in the home.

However it wasn't until the 20th Century that cast iron Radiators brought central Heating to Britain even up to the 1950's very few homes had central heating.

As interior fashions Changed cast iron Radiators where thought of being to big and obtrusive and so homeowners discarded them, boxed them in or simply painted them to disguise what they where , With the reduced market for cast iron the skills of craftsmen being able to make intricate patterned radiators in the foundries was lost.

We have now come full circle again where we are seeing Cast iron Radiators Taking a central part in our homes fitting in with modern and traditional interiors.

www.homelivinginteriors.com

Tel: 028 90 778 537

Email: sales@homelivinginteriors.com

Reproduction over reclaimed Cast Iron Radiators

Cast Iron Is Extremely Energy Efficient In Spreading And Retaining Heat Evenly For A Much Longer Period Of Time And Can Reduce Home Heating Costs.

Helping The Environment Up To 70% Of The Cast Iron Used In Production Has Been Recycled

Can Be Built To Suite Approximately Any Heat Output Or Size Requirement This Can Be A Major Problem With Reclaimed Radiators.

Tested To 8bar Pressure To Comply With Bs Standards Normally Reclaimed Is Sold As Seen And Once Sandblasted Pit Holes And Seal Leaks Will Appear .

Fits Modern Metric Piping And Valve Fittings Reclaimed Are All Imperial Sizes And You Will Find It Hard To Find Valves Ect To Fit .

No Problem On Meeting Number Requirements Of One Style Whereas Reclaimed Radiators Usually Have Limited Numbers.

Lends Itself To Both Contemporary And Traditional Interiors And Can Be Finished In Many Colours Or Semi Polished.

Pride in Our Service

Home Living has its own foundry and Takes Pride in helping with the revival of cast iron radiators by using the same casting methods and designs of our forgotten craftsmen.

Design is our passion so if you wish to introduce a design unique to you we would be happy to discuss this (Note only viable on large container orders)

We have reproduced a series of cast iron radiators keeping to original designs as much as possible

Home livings Range of Manuel and Thermostatic Valves complement any cast iron Radiator.

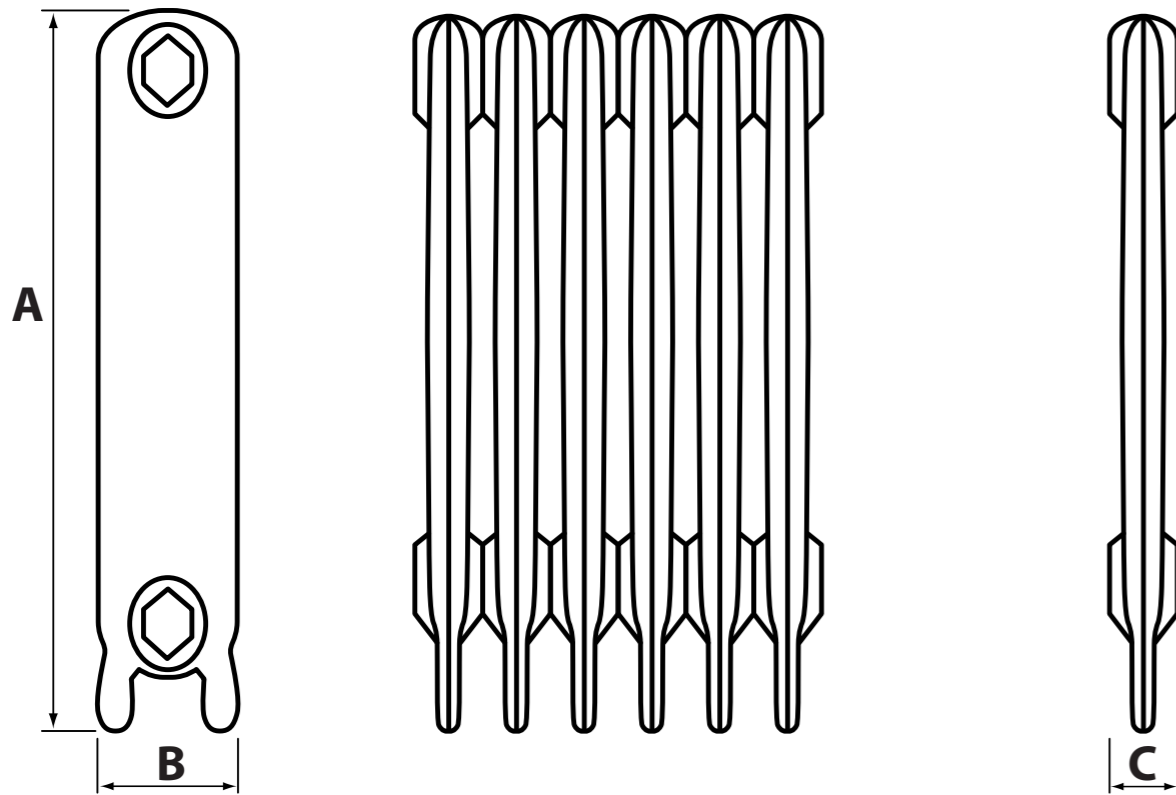
Each radiator comes in a primed finish but can be painted to any Ral colour or semi polished to give a modern Twist.

All Radiators come with a 10 year Manufacturing Guarantee (Please see terms and Conditions)

All Radiator Valves come with a 5 year Manufacturing Guarantee (Please see terms and Conditions)

The Schoolhouse

The school house radiator, also known as the Soap Style radiator is one of the most recognisable styles of solid bar radiators revoking past childhood School memories. Our expert mould makers and foundry works have faithfully and accurately reproduced this radiator to the highest standards. Available in two height sizes of 760mm and 460mm this radiator will look stunning in any room.



Code
RS 760/1

Height A
760mm

Depth B
150mm

Length C
70mm

Section BTU
370

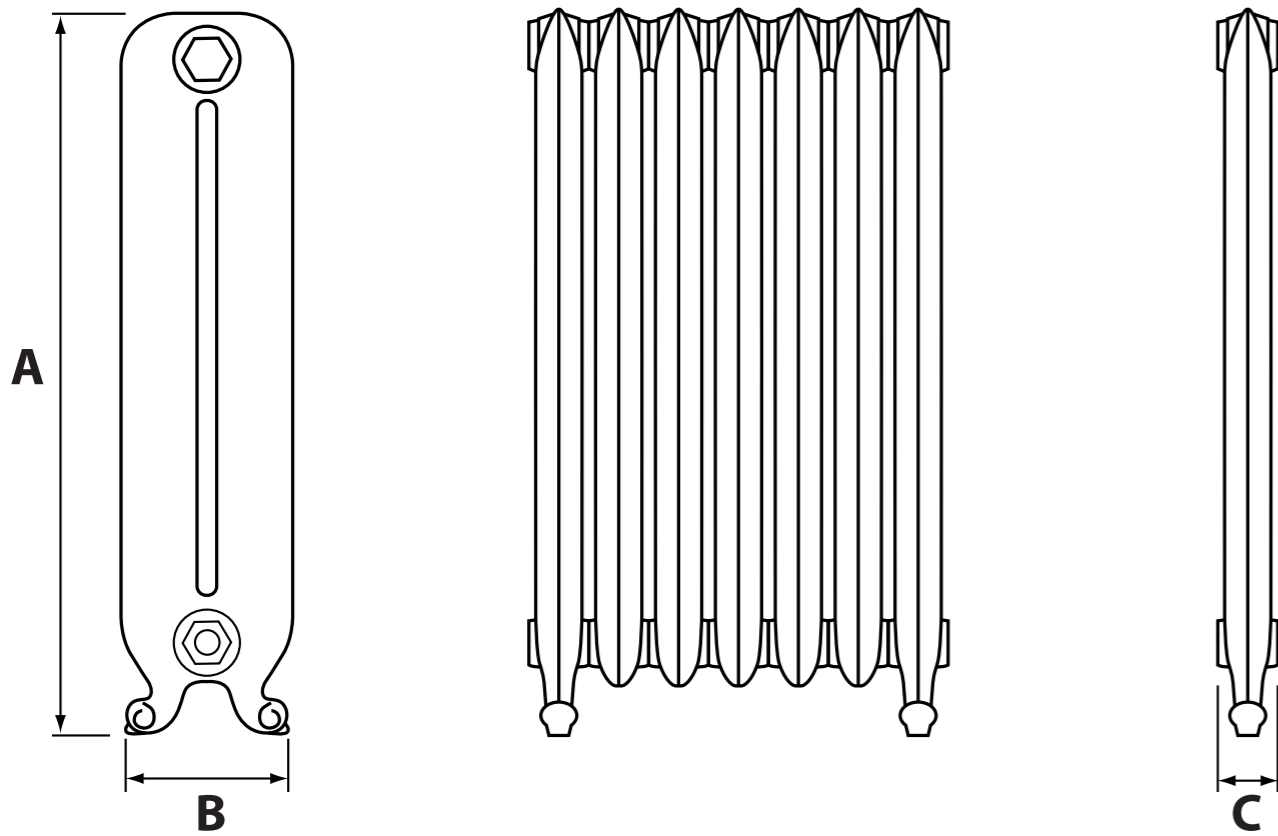
The Schoolhouse

Product Code: RS 760/1

The Daisy

With its intricate pattern of Spring flowers and flowing curves The Daisy Radiator embellishes the Victorian passion for design.

Shown here in highlighted finish the daisy is also available in any of the countless Ral colours.



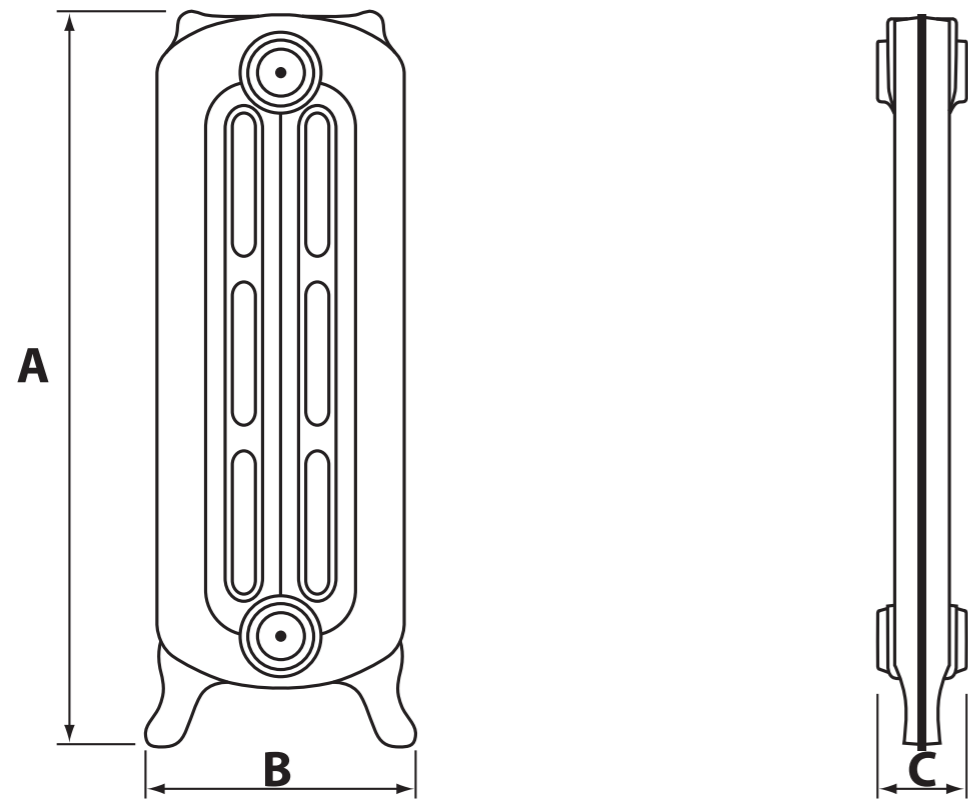
Code	Height A	Depth B	Length C	Section BTU
RP 740	740mm	200mm	80mm	457

The Daisy
Product Code: RP 740

The Montmatre

The Montmatre radiator uses the intricate French Rococo scrolling on each section that will make this radiator one of our most popular radiator in our collection. This radiator comes in a black primer but can be finished in any of our range of colours or polished finishes.

Available in two Height sizes of 760mm and 470mm.



Code	Height A	Depth B	Length C	Columns	Section BTU
RA 760/3	770mm	260mm	80mm	3	400
RA 470/3	470mm	260mm	80mm	3	250

The Montmatre

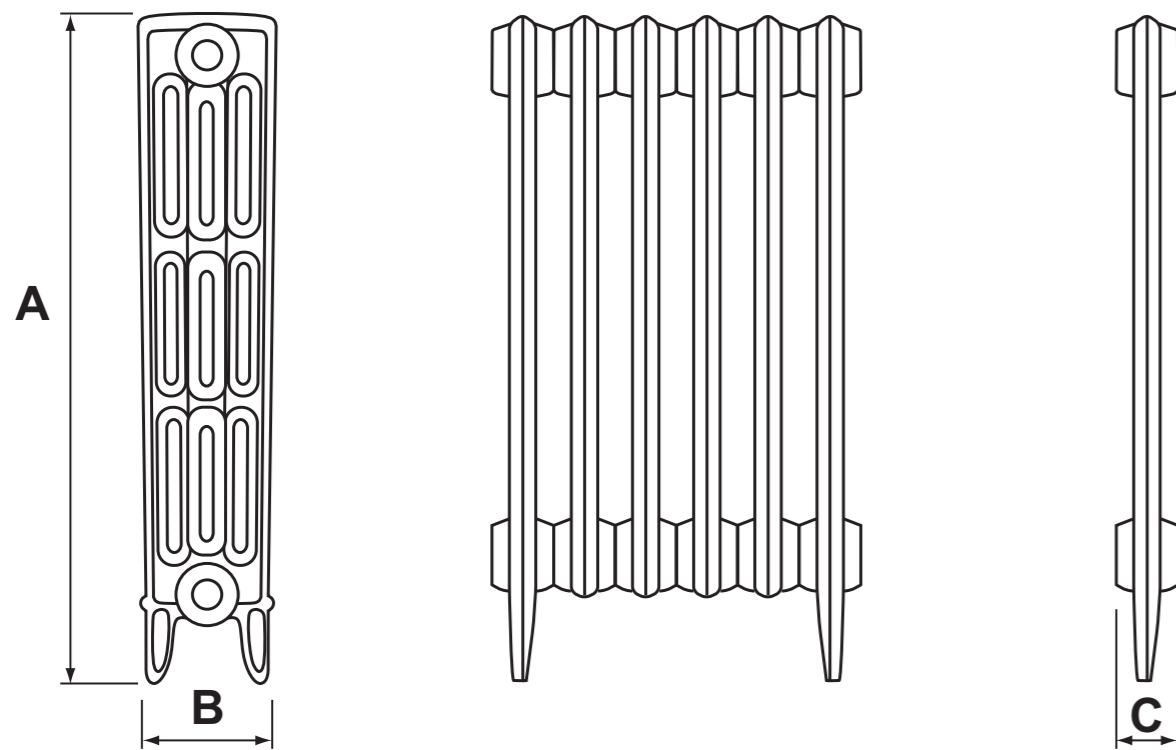
Product Code: RA 760/3 & RA 470/3

The Neo-Classic

One of the most recognizable cast iron radiators on the market today the Neo-Classic 4 column radiator is a copy of the Victorian styled radiator.

Unlike the Victorian which has a flat foot on each leg section the Neo-Classic has a pointed foot and although not a true reproduction of the original compared to the Victorian range the Neo-Classic still delivers a classical design to complement modern and traditional homes .

Available in 4column Height of 760mm, 660mm & 460mm



Code	Height A	Depth B	Length C	Columns	Section BTU
RD 760/4	760mm	140mm	60mm	4	494
RD 660/4	660mm	260mm	60mm	4	396
RD 460/4	460mm	260mm	60mm	4	283



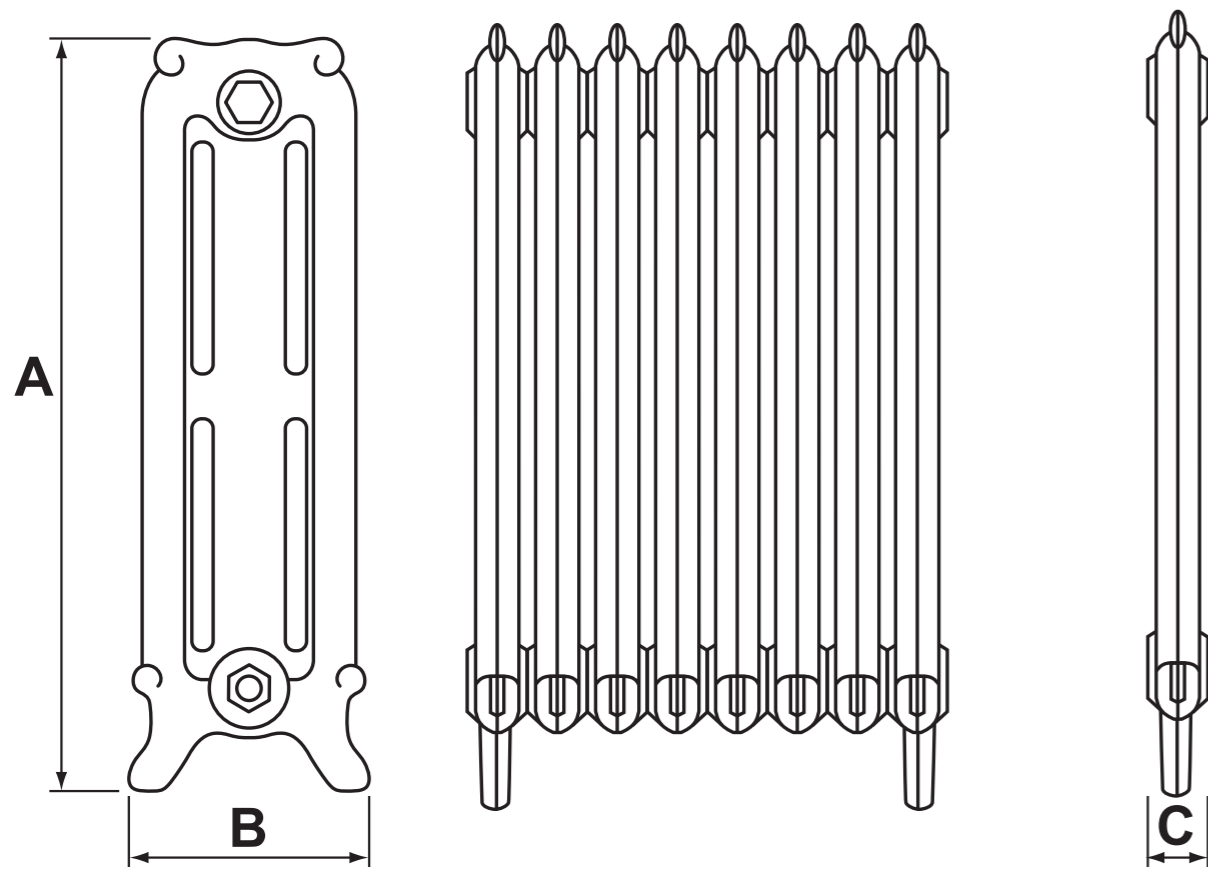
The Neo-Classic

Product Code: RD 760/4, RD 660/4 & RD 460/4

The Parisian

Originally dating back to the late 1800's the Parisian was one of the first decorative radiators thought to be manufactured in France. But it was in the Detroit Plant of the American Radiator Company (commonly known in the UK as the Ideal radiator Co.) that produced this radiator in the French Rococo Style.

With its intricate scrolling patterns to create on the companies most distinguished radiators. Home livings mould making engineers and have painstakingly reproduced this radiator and using the traditional sand casting techniques used by the craftsmen of that period our foundry has accomplished an accurate reproduction.



Code	Height A	Depth B	Length C	Section BTU
RMP 760/3	760mm	240mm	80mm	592

The Parisian

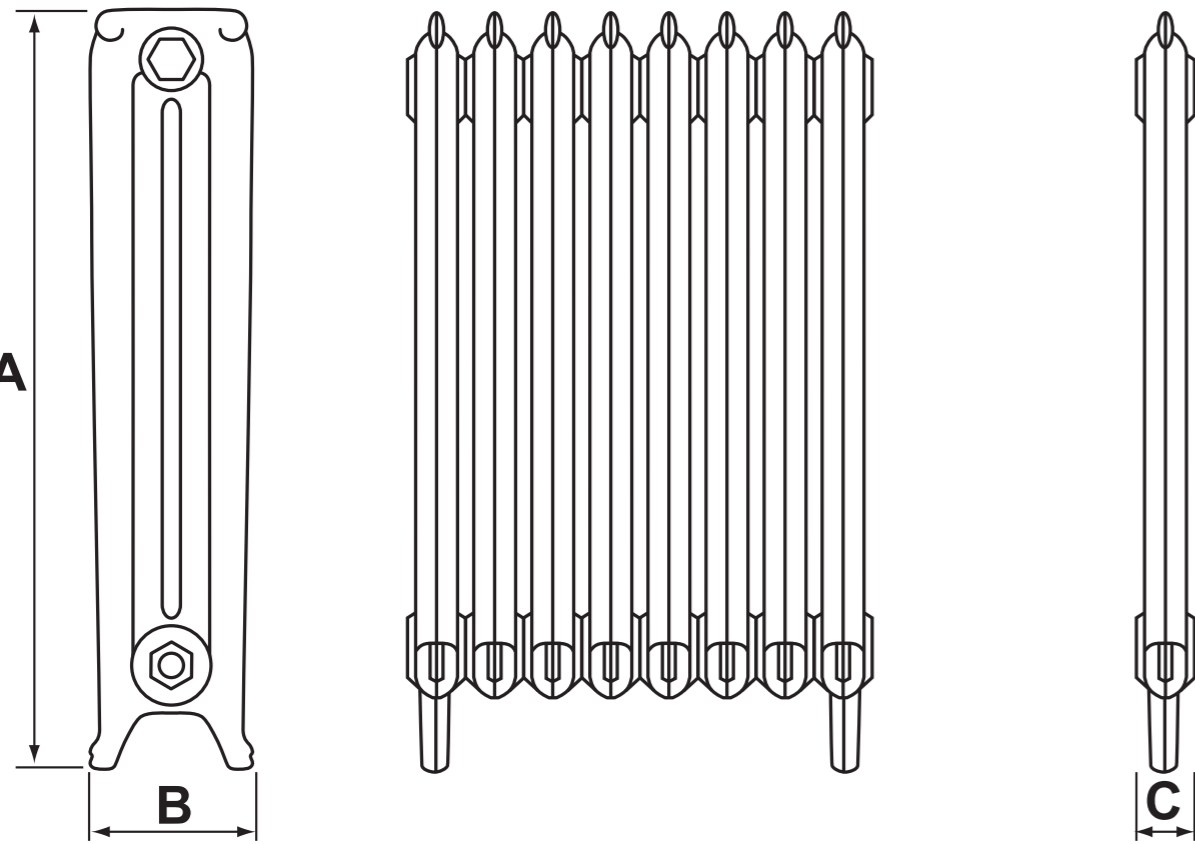
Product Code: RMP 760/3

The Parisian 2 Column

The Parisian 2 column Radiator although not a copy of an original our customers needed a radiator smaller in height to complement the 760 Parisian.

The Homeliving Design team came up with a 2 column version 560mm in height that will fit into areas that have height restrictions.

Still using all the detailed scrolling that is found on The Parisian this smaller radiator blends naturally with its taller sister radiator.



Code	Height A	Depth B	Length C	Section BTU
RMP 560/2	560mm	200mm	80mm	370

The Parisian 2 Column

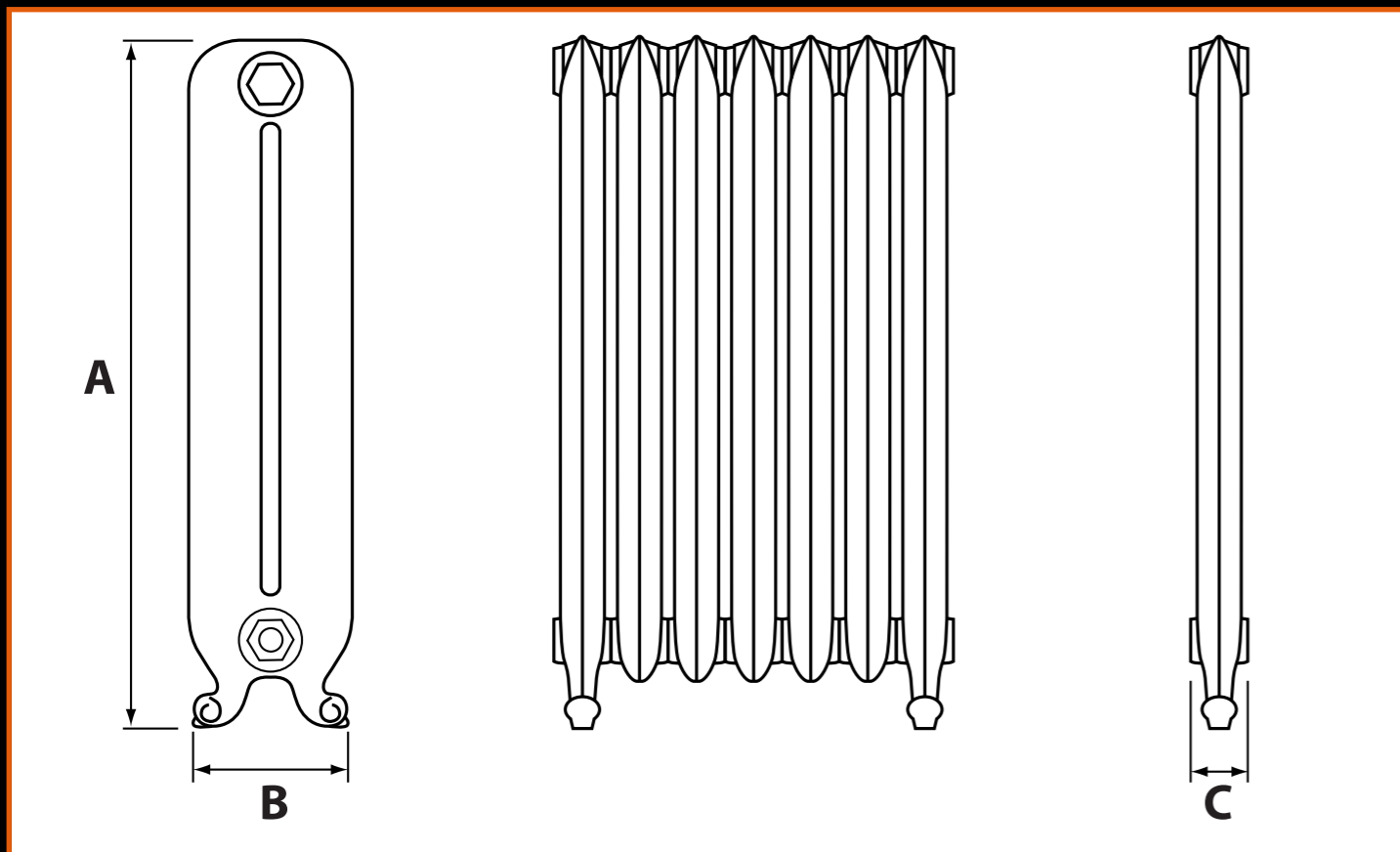
Product Code: RMP 560/2



The Princess

Using an original section from the ideal radiator company The Princess Radiator with its flowing curves is of a later design than the multi column radiators.

Available in many finishes and in two heights of 760 and 460mm this radiator will look stunning in either contemporary or traditional homes.



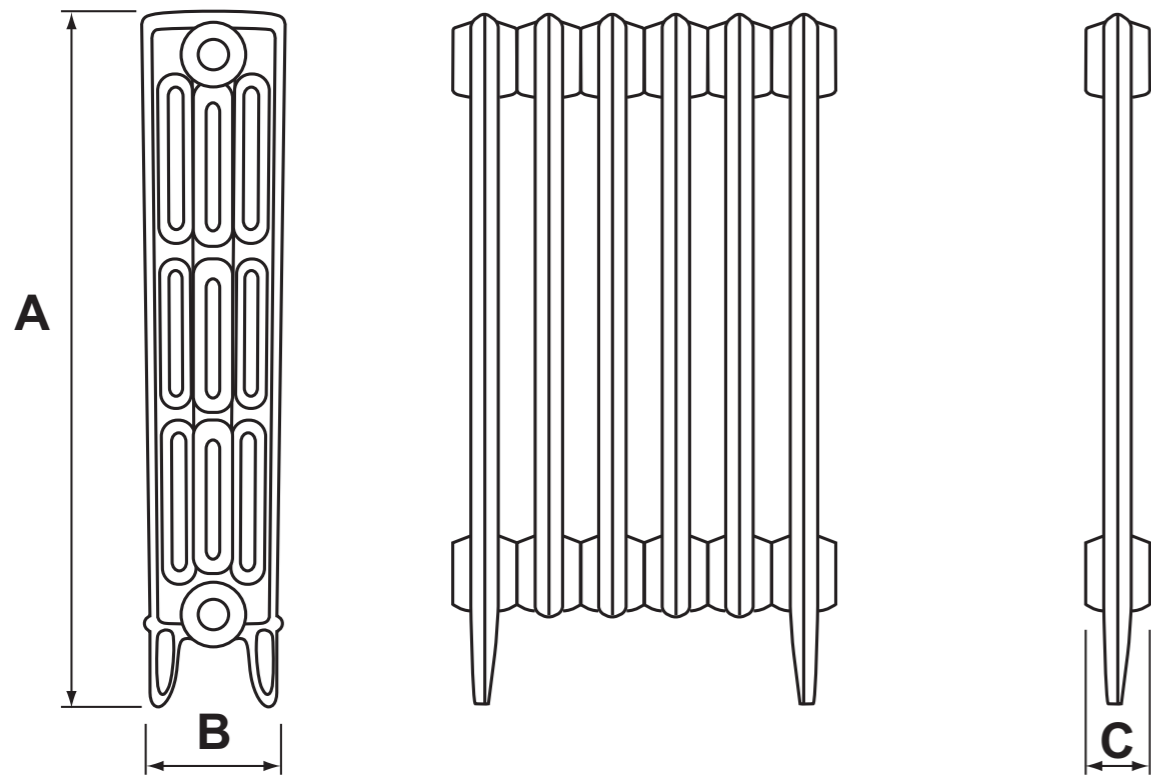
Code	Height A	Depth B	Length C	Columns	Section BTU
RP 760/2	760mm	200mm	80mm	2	482
RP 560/2	560mm	200mm	80mm	2	375

The Princess

Product Code: RP 760/2 & RP 560/2

The Victorian

One of the most recognizable cast iron radiators the Victorian 4 column radiator has been created by taking a mould of an Original Ideal standard Radiator from the National radiator Company. Unlike the many normal Neo-Classic styles that are available in Today's market that have a pointed foot on the leg section. As in the original design the Victorian has a flat foot on each leg section that will help in preventing damage to any floor coverings in the home by spreading the weight of the radiator. Available in 4column Height of 760mm & 460mm



Code	Height A	Depth B	Length C	Columns	Section BTU
RV 760/4	760mm	140mm	60mm	4	400
RV 460/4	460mm	140mm	60mm	4	250

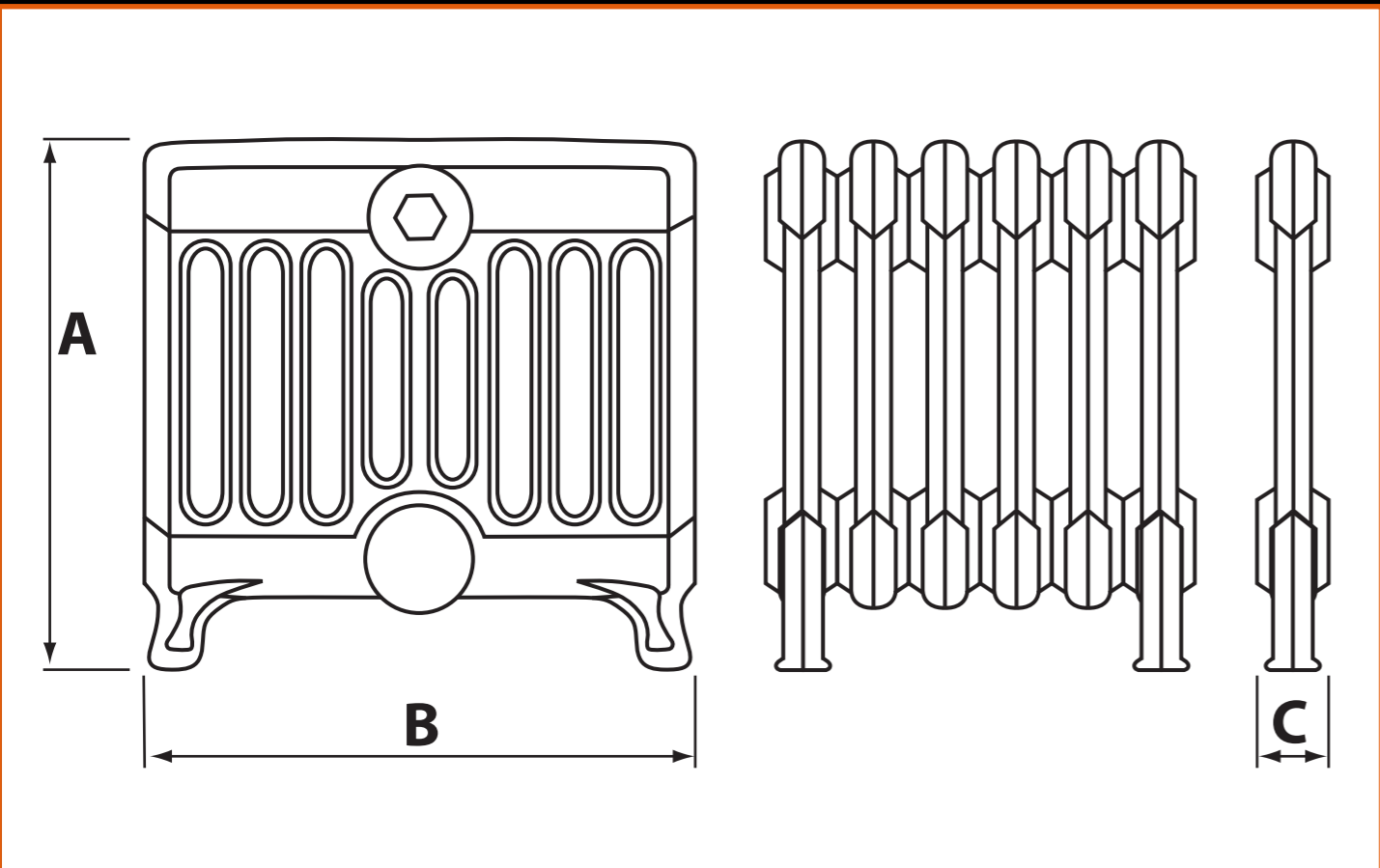
The Victorian

Product Code: RV 760/4 & RV 460/4



*The Victorian
9 Column Radiator*

This nine column radiator is ideal for under windows or conservatories. The design was inspired from the original American radiator company available in many finishes and made to measure to required sizes.



Code	Height A	Depth B	Length C	Columns	Section BTU
RV 350/9	330mm	330mm	60mm	9	444



The Victorian 9 Column Radiator
Product Code: RV 350/9