



interiors
Homeliving
the designers choice

interiors
Homeliving
the designers choice

Home Living cast iron Bath construction conveys a statement of solidity and permanence, the styles carry a sense of luxury and opulence their style has a longevity will form the centre piece of any traditional or modern bathroom design.
Homeliving's roll top bath forms the vital element of a faithfully reproduced period or retro inspired bathroom.

www.homelivinginteriors.com

Tel: 028 90 778 537

Email: sales@homelivinginteriors.com

Cast Iron Baths

Cast Iron Baths: *A Brief History*

It wasn't until the 1880's that free standing baths with roll tops and feet were introduced. Vitreous enamelled cast iron baths were in use before this time but were usually encased within wooden surrounds.

The freestanding designs came about through a concern with hygiene and the ability to clean all around the bath as well as the pipe work and were made up to around the middle of the 20th Century. They were gradually replaced by rectangular panel baths designed to fit against walls and into corners.

The manufacturing process involved the bath body being cast at a foundry. The enamel coating the inside was then formed by firing an applied glaze solution in a furnace. The feet were cast separately and fixed to the body of the bath with bolts

Home Living cast iron Bath construction conveys a statement of solidity and permanence, the styles carry a sense of luxury and opulence their style has a longevity will form the centre piece of any traditional or modern bathroom design.

Homeliving roll top bath forms the vital element of a faithfully reproduced period or retro inspired bathroom.

www.homelivinginteriors.com

Tel: 028 90 778 537

Email: sales@homelivinginteriors.com

Benefits of Cast Iron

Saving the Earth

Whereas acrylic is far from being a green product, cast iron can be almost 100% recycled.

Home Living strives to use mainly natural recycled and reclaimed raw material. Saving Money and Energy.

Cast Iron offers perfect thermal insulation. You will save money and energy by always keeping your bath water at a delightful temperature and without permanently adding hot water.

Why Cast Iron

Cast Iron is the best guarantee against bacteria proliferation. This is why numerous hospitals and luxury hotels refuse to use acrylic in bath equipment.

Noise pollution becomes one of the scourges of current day life. Cast iron is simply the best material to absorb all bath and water noises.

In the event of fire, cast iron does not emit any gas or toxic fumes whereas acrylic does.
Long-Term Investment

Cast Iron is highly resilient, it offers best protection against scratches, etching by chemicals or detergents, cigarette burns etc. Whereas acrylic tubs are prone to flexing, cast iron remains in perfect shape even when used by several adults or children at the same time.

Creativity and timeless designs Home Living strives to Bring traditional designs created by Master Craftsmen.

Last but not least, cast iron offers top durability and strength.

Invest in a cast iron tub and you will be sure that even your grandchildren will enjoy it year after year.

Manufacturing

Our bathtubs are produced Using the advanced "V" vacuum process which allows the use of natural unspoiled sand for mould processing.

Top quality AA standard titanium enamel.

Top glaze produced by Baika Company of German

Easy Care

Enamel is a dense, non porous material which does not accumulate lime or other detergent residues. You can clean it simply by using simple soap and water mixed with a few drops of vinegar.

Don't waste your time with cleaning, choose cast iron!

The Chaumont

Art Deco Style Plinth Bath

Styled on Charm and decadence of the roaring 20's.
Why not Frolic, Sip Champagne or just Relax In this very elegant Bath

Exteriors Finished in any Ral colour



Bathtub

Size: 1700 x 770 x 450mm

Material: Enameled cast iron

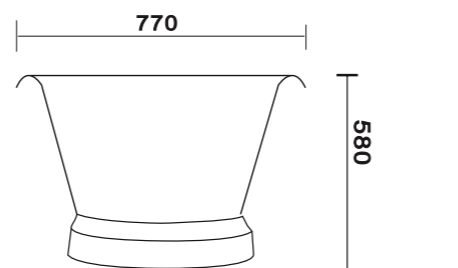
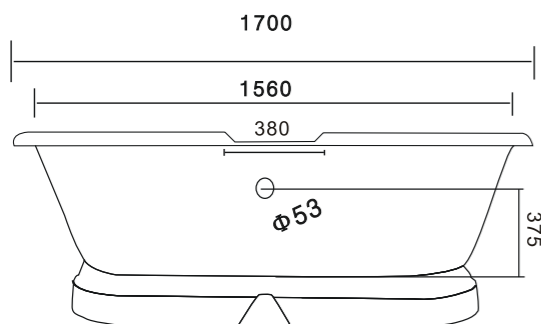
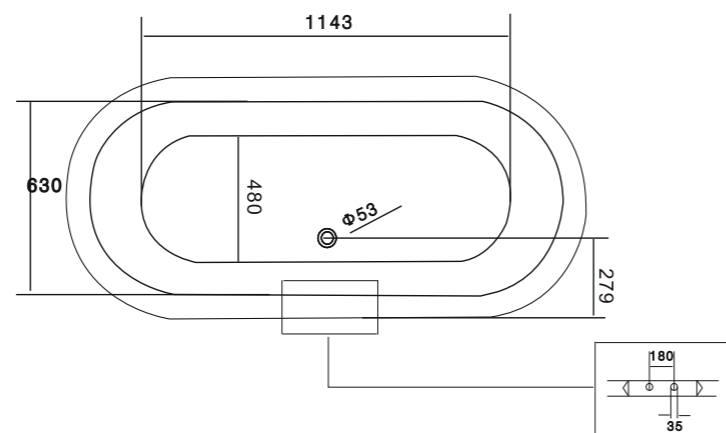
Finishes: Hand smoothed painted white exterior, easy to repaint

Option: Two tap holes/No tap holes

Tub Weight: 155kgs

Pedestal Weight: 60kgs

Water Capacity: 200ltr



The Chaumont

Product Code: B-89-2



The Lyon Roll Top Boat Bath

The Lyon is HomeLivings most traditional design based on the boat bath style originally made in copper in the 18th and 19th century, it works equally well in a contemporary setting. This Bath looks stunning with the exterior painted or polished.



Bathtub

Size: 1700 L x 700 W x 675 H mm

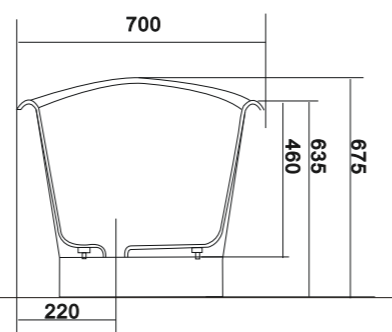
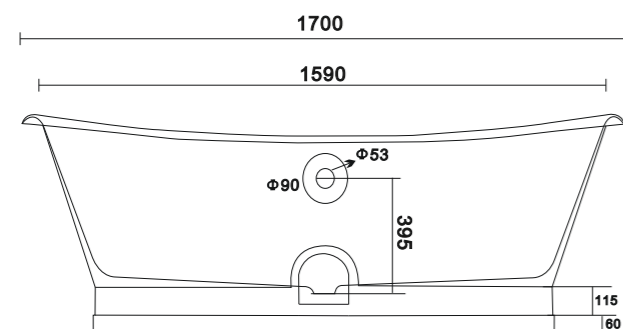
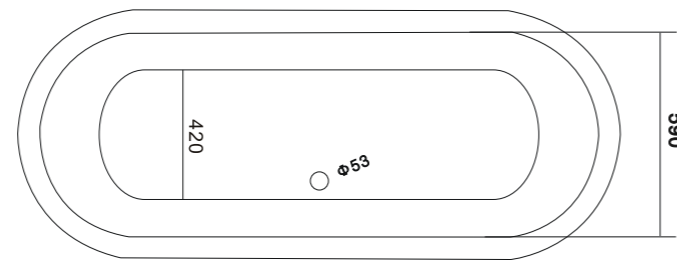
Material: Enameled cast iron

Finishes: Hand smoothed painted white exterior, easy to repaint

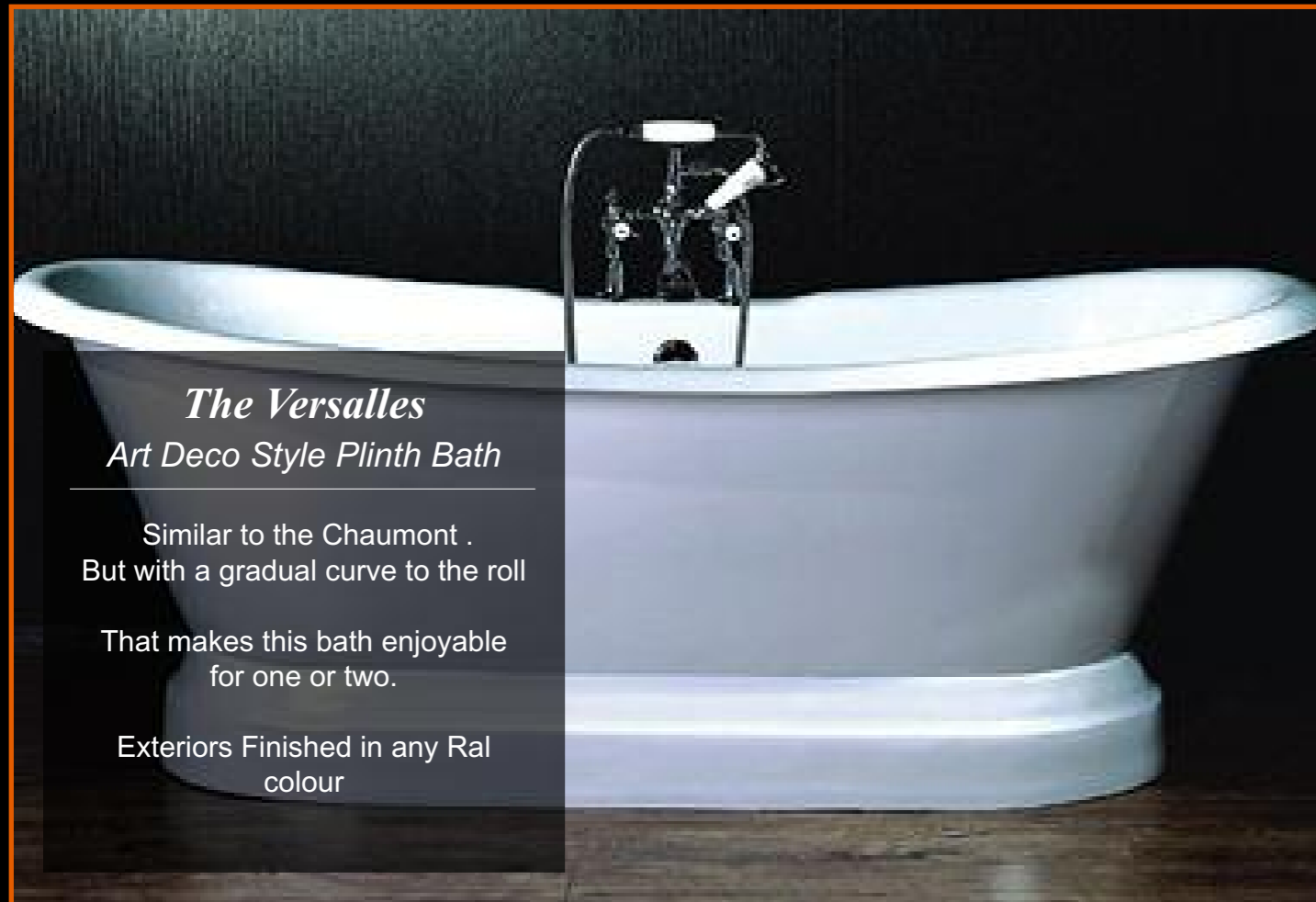
No tap holes

Tub Weight: 150kgs

Water Capacity: 215ltr



The Lyon
Product Code: B-76



The Versailles
Art Deco Style Plinth Bath

Similar to the Chaumont .
But with a gradual curve to the roll

That makes this bath enjoyable
for one or two.

Exteriors Finished in any Ral
colour

Bathtub

Size: 1800x790x450/530mm

Material: Enameled cast iron

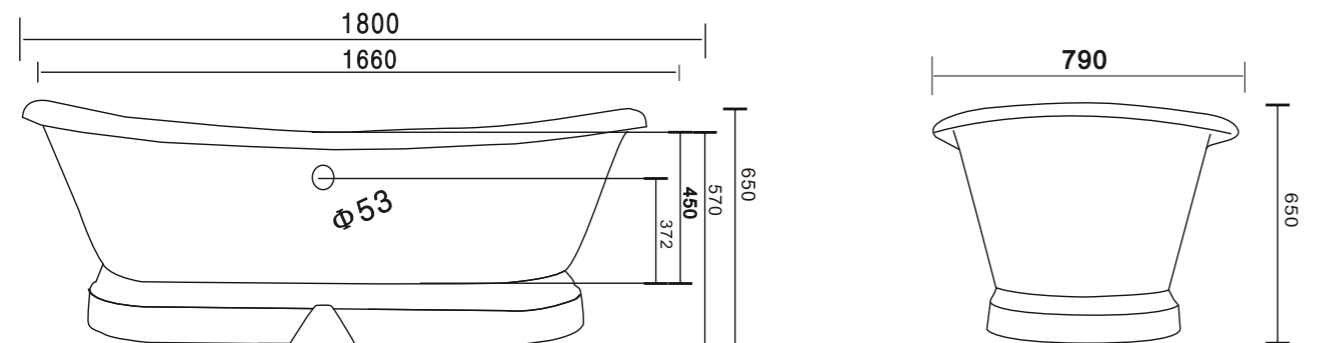
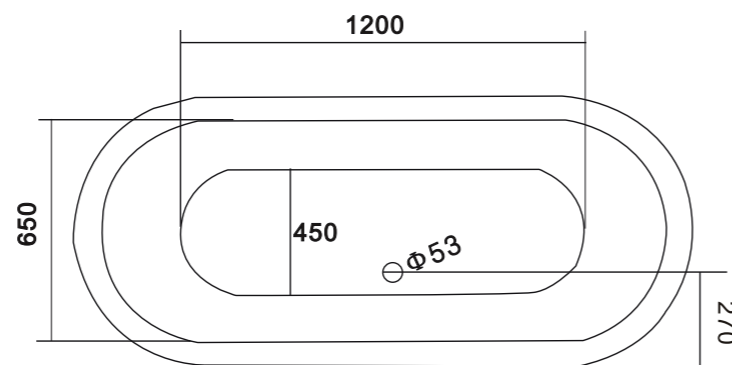
Finishes: Hand smoothed painted
white exterior, easy to repaint

Option: Two tap holes/No tap holes

Tub Weight: 166kgs

Pedestal Weight: 60kgs

Water Capacity: 225ltr



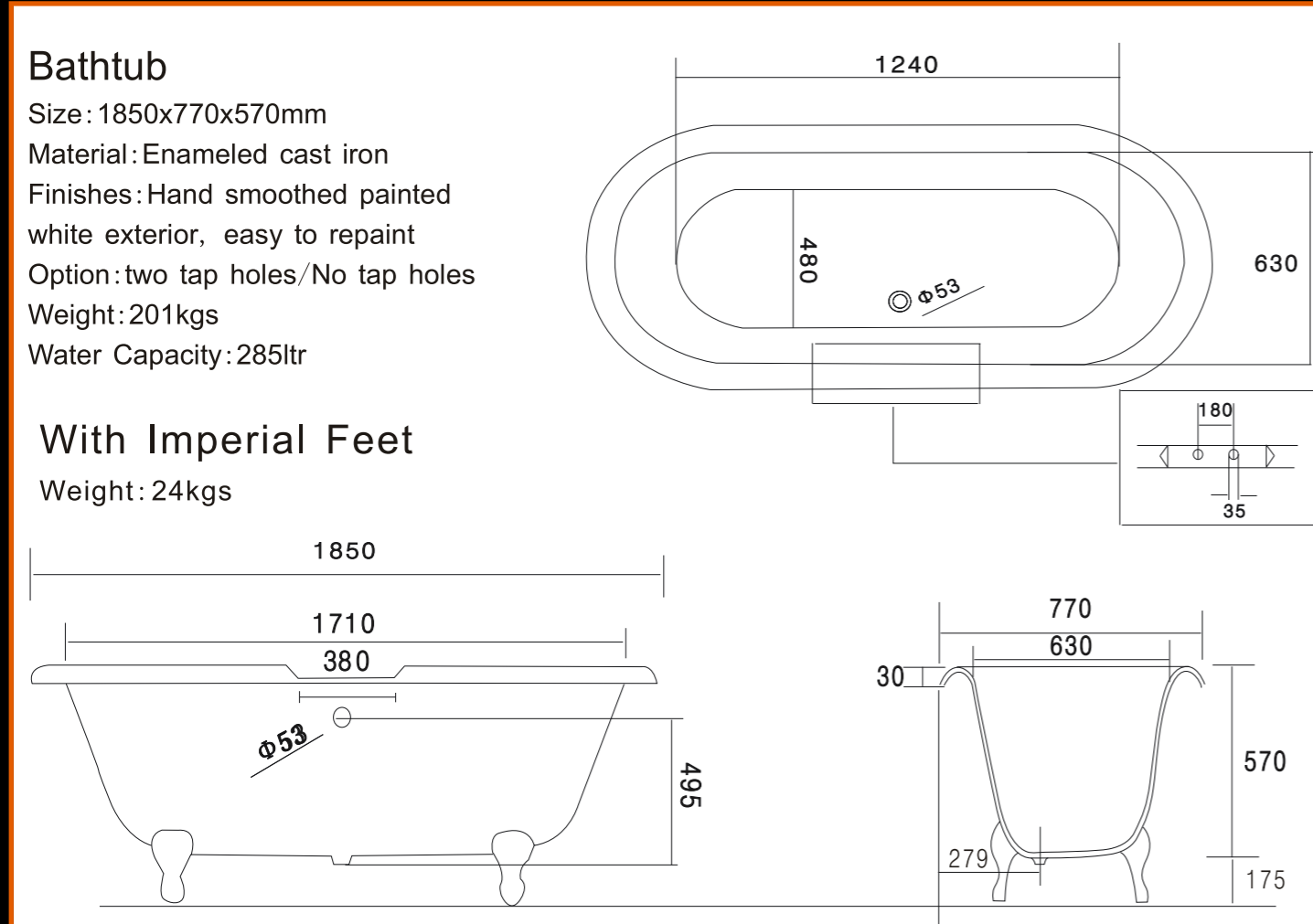
The Versailles

Product Code: B-71



The Cheverny
Deep Classic Roll Top

Indulge and Immerse yourself with the Cheverny our largest and most luxurious cast iron bath. From its highly Detailed Ball and Claw Feet to Its gentle Contours and deep roll make for a relaxing soak for one, or two. Exterior and Feet can be Finished in any Ral colour



The Cheverny
Product Code: B-89-1



The Villandry
Double Slipper Bath

Room enough for two, The Villandry brings the splendour of the 19th Century French chateau to both modern and traditional bathrooms.
This Bath Comes with Lions Paw feet.
Exteriors Finished in any Ral colour



Bathtub

Size: 1820 L x 762 W x 585/785 H mm

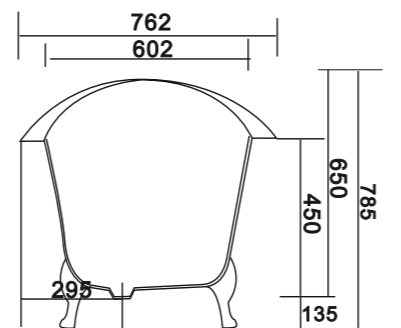
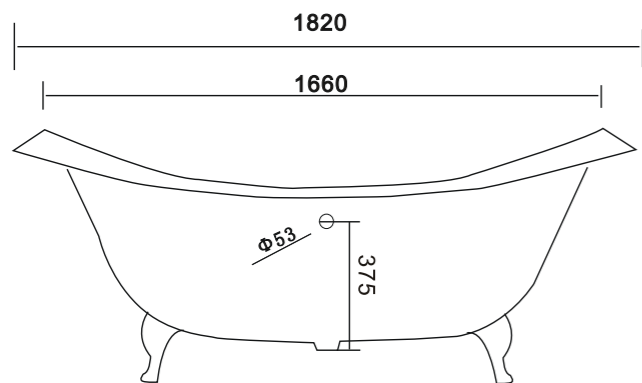
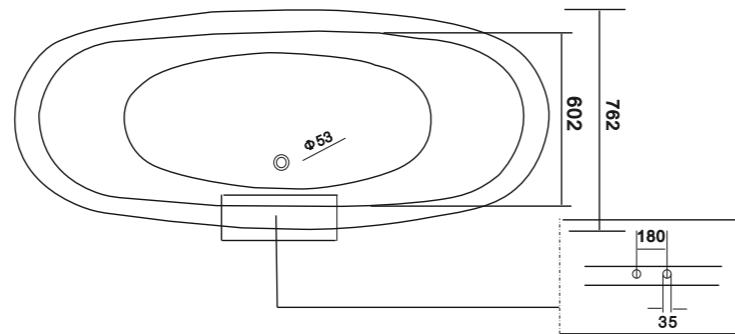
Material: Enameled cast iron

Finishes: Hand smoothed painted white exterior, easy to repaint

Option: Two/no Tap holes!

Tub Weight: 161kgs

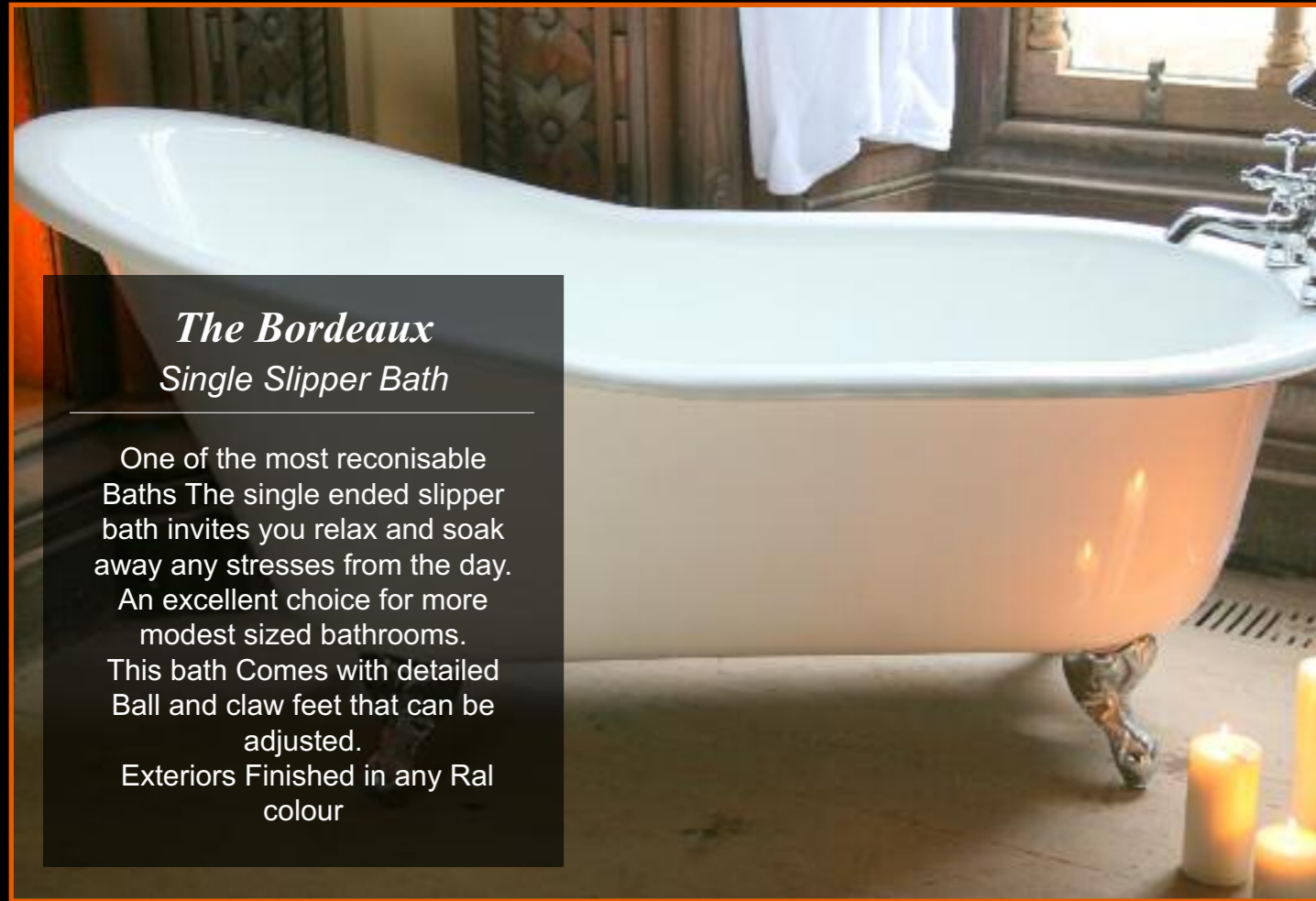
Water Capacity: 190ltr



Clawfoot

Large lions Paw Freestanding bath feet Weight: 24kgs

The Villandry
Product Code: B-83

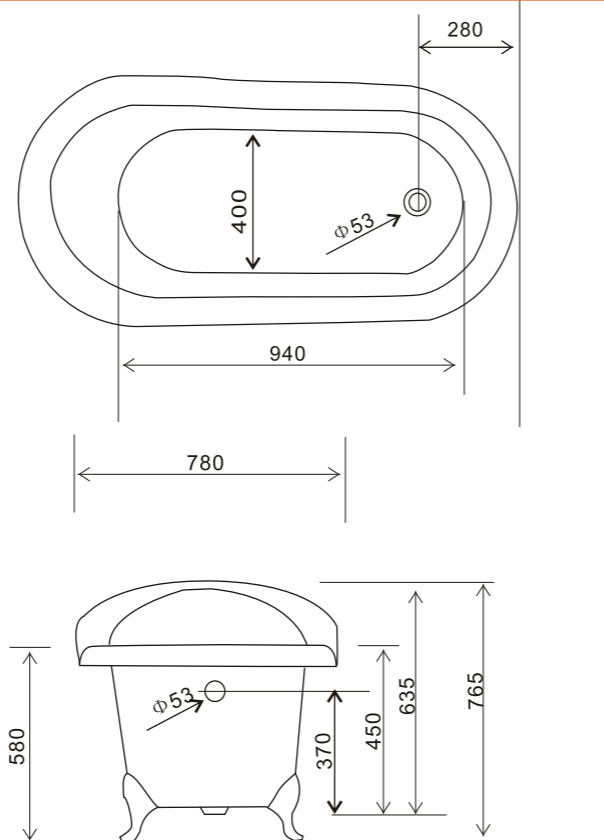


The Bordeaux
Single Slipper Bath

One of the most recognisable Baths The single ended slipper bath invites you relax and soak away any stresses from the day. An excellent choice for more modest sized bathrooms. This bath Comes with detailed Ball and claw feet that can be adjusted. Exteriors Finished in any Ral colour

Bathtub

Size: 1560 L x 780 W x 765/580 H mm
Material: Enameled cast iron
Finishes: Hand smoothed painted white exterior, easy to repaint
Option: W/O Tap holes
Tub Weight: 132kgs
Water Capacity: 160ltr



Clawfoot

Lion&Ball feet or Large Ball&Claw feet Adjustable bolts Weight: 6kgs/10kgs



The Bordeaux

Product Code: B-88